

ARK-5261

Fanless Embedded Box PC with Intel® Celeron® J1900 Processor, PCI/PCIe Expansion Slots, and Dual Mobile HDDs/SSDs



ARK-5261S
ARK-5261P



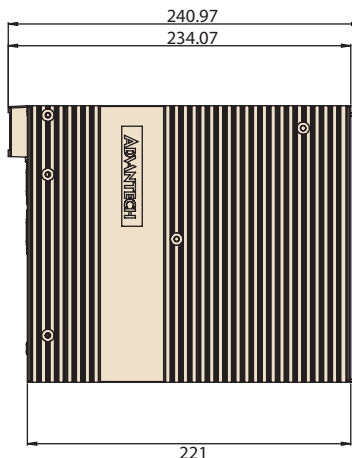
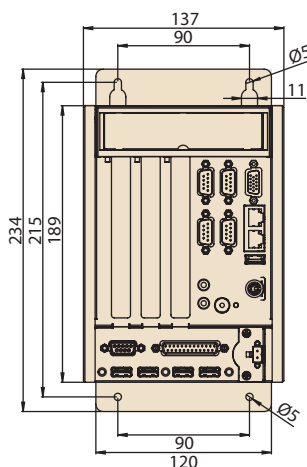
Features

- Fanless embedded box PC with Intel® Celeron® J1900 processor, 2.0 GHz
- 2 x Giga LAN, 1 x USB 3.0, and 5 x USB 2.0
- 4 x RS-232/422/485 with auto-flow control, 1 x COM1, and 1 x COM2 ports with 5V/12V power
- 1 x PCIe and 2 x PCI or 3 x PCI expansion slots
- 4 x RS-422/485 (isolation type)
- Rubber anti-vibration card holder for PC expansion boards
- 9 ~ 30V_{DC} input power range
- Wide operating temperature (-20 ~ 60 °C)
- Supports Advantech SUSIAccess and embedded software APIs

Specifications

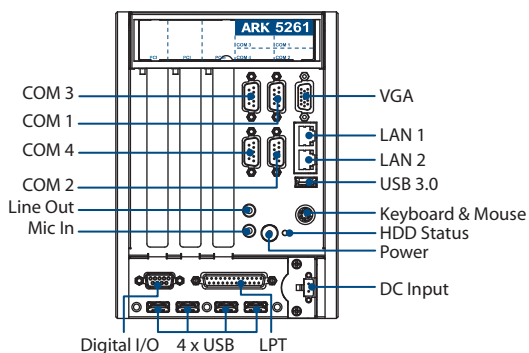
System	CPU	Intel® Celeron® J1900 processor, 2.0 GHz		
	Max. Speed	2.41 GHz		
	BIOS	AMI 16 Mbit SPI BIOS		
Memory	Technology	Dual channel DDR3L-1333 (low power 1.35V)		
	Max. Capacity	4 GB memory built in, supports up to 8 GB		
	Socket	2 x 204-pin SODIMM		
Graphics	Integrated Chipset	Intel® HD Graphics		
	VRAM	Up to 224 MB SDRAM of shared system memory		
	Interface	VGA: 2560 x 1600 @ 60Hz		
Ethernet	LAN1	10/100/1000 Mbps Intel® I211GigaLAN controller, supports Wake-on-LAN		
	LAN2	10/100/1000 Mbps Intel® I211GigaLAN controller, supports Wake-on-LAN		
Audio	Interface	Line-Out, Mic-in		
I/O	Serial Ports	Standard type: 4 x RS-232/422/485, 1 x COM1, and 1 x COM2 with 5V/12V power, supports auto-flow control (ARK-5261S-J0A1E) Isolation type: 4 x RS-422/485 with 15Kv ESD protection, 2Kv surge protection, and 2Kv electrical isolation (ARK-5261I-J0A1E)		
	USB	6 (1 x USB 3.0, 4 x USB 2.0, 1 x internal USB 2.0 type A)		
	PS/2 Port	1 supports PS/2 mouse and keyboard		
	Parallel Port	D-sub 25-pin connector		
	Digital I/O	8-bit digital IO (DB9 connector)		
Other	Watchdog Timer	255-level timer intervals, setup via software		
Storage	HDD/SSD	2 x 2.5" SATA HDD/SSD bays (9.5 mm height)		
	mSATA	1 x mSATA or SATAII		
Expansion	PCI/PCIe	2 x PCI, 1 x PCIe x1 (ARK-5261S-J0A1E and ARK-5261I-J0A1E)		
		3 x PCI, 1 x full-size mini PCIe (ARK-5261P-J0A1E) Supports 15W max. power and 99 x 186 mm max. dimensions (W x L) for PC expansion board		
Software	OS Support	Microsoft Windows 7/8.1/Embedded and Linux Fedora 19		
	Type	ATX / AT		
Power	Input Voltage	9 ~ 30 V _{DC}		
	Minimum Voltage	9V @ 6.6A ~ 30V @ 2A		
	Power Adapter	AC-to-DC, 65 W DC19 V/3.4 A		
Power Consumption	Idle	9.9 W (with Intel® Celeron® J1900, 2.0 GHz processor, memory, and SATA HDD)		
	Maximum	12.9 W (with Intel® Celeron® J1900, 2.0 GHz processor, memory, and SATA HDD)		
Mechanical	Construction	Aluminum housing		
	Mount Options	Desk/wall mounting		
	Dimensions (W x H x D)	137 x 189 x 221 mm (5.39" x 7.44" x 8.70")		
	Weight	4.2 kg (9.24 lbs)		
Environment	Temperature	Operating (with 2 x industrial SSDs without PC expansion boards)	Operating (with 1 x 2.5" HDD or mSATA without PC expansion boards)	Non-operating
		-20 ~ 60 °C with 0.7m/sec air flow	0 ~ 40 °C with 0.7m/sec air flow	- 40 ~ 85 °C (-40 ~185 °F)
	Storage Temperature	- 40 ~ 85 °C (-40 ~185 °F)		
	Relative Humidity	95% @ 40 °C (non-condensing)		
Certifications	Safety	EMC	CE/FCC, CCC, BSMI	
		Safety	CCC, BSMI	

Dimensions

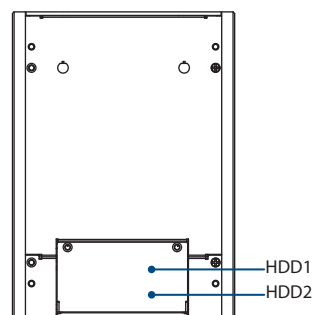


Unit: mm

Front View



Rear View



Ordering Information

Part Number	VGA	USB	GbE	RS-232	RS-422/485	PS/2	PCIe	PCI	Power
ARK-5261S-J0A1E	1	1 USB 3.0, 5 USB 2.0	2	4	4	1	1 x PCIe x1	2	9 ~ 30V _{DC}
ARK-5261P-J0A1E	1	1 USB 3.0, 4 USB 2.0	2	4	4	1	1 x Mini PCIe	3	9 ~ 30V _{DC}
ARK-5261I-J0A1E	1	1 USB 3.0, 5 USB 2.0	2	4	4	1	1 x PCIe x1	2	9 ~ 30V _{DC}

Packing List

Part Number	Description	Quantity
ARK-5261	ARK-5261 Unit	1
2061526100	Driver/utility CD	1
2001526110	ARK-5261 startup manual (Eng+CN)	1
1960049826N001	Upper mount bracket	1
1960049827N001	Lower mount bracket	1
1990000505	Shock-proof rubber boot	3
2001526120	ARK-5261 startup manual (TC)	1

Optional Accessories

Part Number	Description
1700021831-01	DP to DVI-D cable with BKT
PCA-TPM-00A1E	TPM module
96PSA-A120W24T2	Adaptor 100 ~ 240V _{AC} 120W 24V
96PSA-A65W19P2-2	Adaptor 100 ~ 240V _{AC} 65W 19V without PFC
1702002600	Power cord UL/CSA (USA) 3P, 125V, 10A, 1.83 M, 180 D (for 120W)
1700001524	Power cord UL 3P, 125V, 10A, 1.80 cm (for 165W)
1700022940-01	Power cord (PSE) 3P, 125V, 7A, 3 M, DAC-ST01 (for 120W)
1700021376-01	Power cord (PSE) 3P, 125V, 7A, 250 cm, IEC60320-C5 (for 65W)
1702002605	Power cord (EU) 2P, 220V, 10A/16A, 1.83 M, 90 D (for 120W)
170203183C	Power cord (EU) 3P, (WS-010+WS-083), 1.83 M (for 165W)

Embedded OS

Part Number	Description
2070013108	WE8S ARK-5261 x64 V6.5.2 10MUI; SAP image
2070013109	WES7P ARK-5261 x64 V5.6.6 10MUI ;SAP image