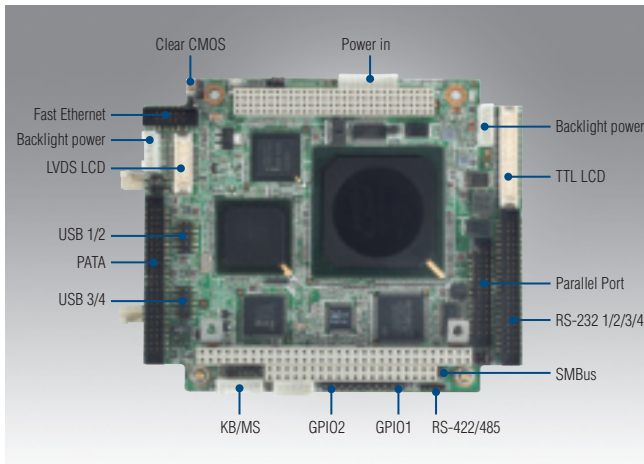


PCM-3353

AMD LX800/LX600 PC/104-Plus SBC, VGA, LVDS, TTL, Ethernet, USB, COM, CF



Features

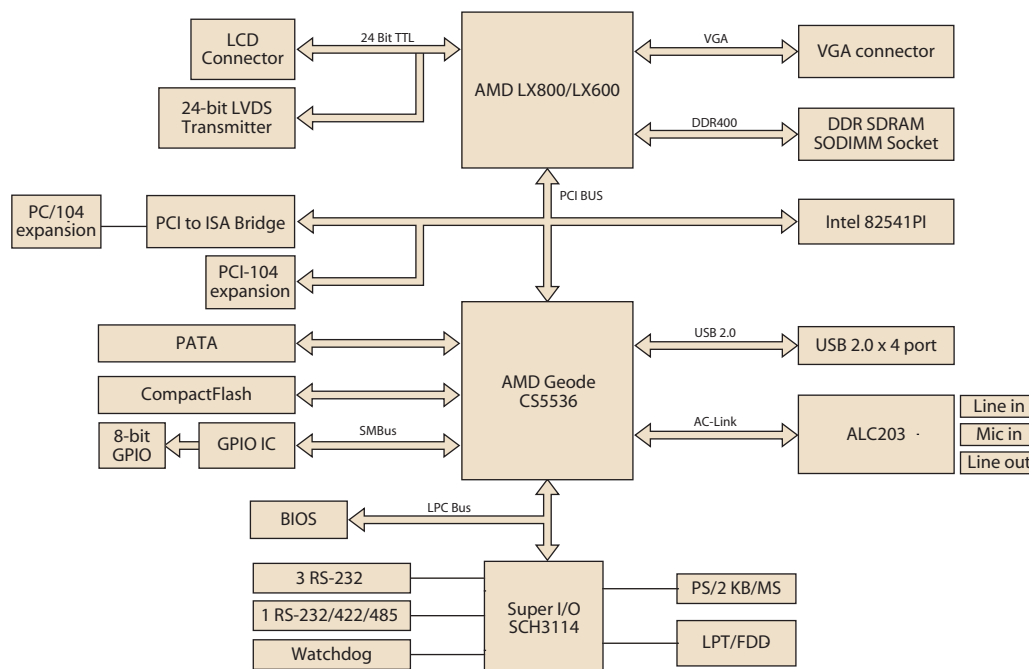
- AMD low power LX800 500 MHz/LX600 366 MHz processor
- 24-bit TFT LCD interface, 18/24-bit (JEIDA format) LVDS display
- PC/104-plus expansion
- Supports up to 4 COM ports, 4 USB ports
- Supports SUSIAccess and Embedded Software APIs



Specifications

| | | |
|--------------------------|--------------------------------------|---|
| Processor System | CPU | AMD Geode™ LX800 500 MHz/AMD Geode™ LX600 366 MHz |
| | Frequency | 500 MHz / 366 MHz |
| | L2 Cache | 128 KB |
| | System Chipset | AMD CS5536 |
| | BIOS | Award 4-Mbit |
| Memory | Technology | DDR 333/400 MHz |
| | Max. Capacity | 1 GB |
| | Socket | 1 x 200-pin SODIMM |
| Display | Chipset | AMD Geode LX800 / LX600 |
| | VRAM | Optimized Shared Memory Architecture up to 64 MB system memory |
| | LVDS | Single channel 18/24-bit (JEIDA format) LVDS up to 1600 x 1200 x 32 bpp at 60 Hz Supports up to 1920 x 1440 x 32 bpp at 85 Hz |
| | VGA | Supports up to 1600 x 1200 x 32 bpp at 100 Hz |
| | TTL LCD | Supports up to 1600 x 1200 x 32 bpp at 60 Hz for 24-bit single channel TFT Panel |
| | Dual Display | VGA+TTL, VGA+LVDS |
| Ethernet | Speed | 10/100/1000 Mbps |
| | Controller | Intel 82541PI |
| | Connector | Box Header |
| Audio | Chipset | Realtek ALC203 (Line-in, Line-out, Mic-in) |
| Watchdog Timer | | Output System Reset Programmable counter from 1 ~ 255 minutes/ seconds |
| Storage | CompactFlash | CompactFlash socket (Type I) |
| | PATA | 1 Channel |
| | Floppy | 1, 82077AA compatible (transfer from LPT, available by custom BIOS) |
| | USB | 4 x USB 2.0 |
| Internal I/O | Serial | 3 RS-232 from COM1/3/4, 1 RS-232/422/485 from COM2 with RS-485 auto flow control (ESD protection for RS-232: Air gap ±15 kV, Contact ±8 kV) |
| | Parallel (LPT) | 1, IEEE 1284, EPP, and ECP compatible (FDD mode supported) |
| | SMBus | 1 |
| | Keyboard/Mouse | 1 |
| | GPIO | 8-bit general purpose input/output |
| | Expansion | PC/104-Plus Slot |
| Power | Power Type | AT |
| | Power Supply Voltage | 5V ± 5% only to boot up (12 V is optional for LCD inverter and add on card) |
| | Power Consumption (Typical) | LX800: 1.35 A @ +5 V, 0.1 A @ +12 V (7.95 Watts) |
| | Power Consumption (Max, test in HCT) | LX800: 1.51 A @ +5 V, 0.1 A @ +12 V (8.75 Watts) |
| | Power Management | APM1.2 |
| | Battery | Lithium 3 V / 196 mAH |
| Environment | Operational | 0 ~ 60° C (32 ~ 140° F) (Operational humidity: 40° C @ 85% RH non-condensing) |
| | Non-Operational | -40° C ~ 85° C and 60° C @ 95% RH non-condensing |
| Physical Characteristics | Dimensions (L x W) | 96 x 115 mm (3.8" x 4.5") |
| | Weight | 0.574 kg (1.26 lb) (with heat-sink) |
| | Height | Top side: 11.45 mm; Bottom side: 10.6 mm |

Block Diagram



Ordering Information

| Part No. | CPU | Memory | VGA | LVDS | TTL | GbE | USB 2.0 | RS-232 | RS-232/422/485 | Audio | Expansion | Thermal Solution | Operational Temp. |
|------------------|-----------|--------|-----|-----------|--------|-----|---------|--------|----------------|-------|-----------|------------------|-------------------|
| PCM-3353F-L0A2E | AMD LX800 | SODIMM | Yes | 18/24-bit | 24-bit | 1 | 4 | 3 | 1 | Yes | PC/104+ | Passive | 0 ~ 60° C |
| PCM-3353F-J0A2E | AMD LX600 | SODIMM | Yes | 18/24-bit | 24-bit | 1 | 4 | 3 | 1 | Yes | PC/104+ | Passive | 0 ~ 60° C |
| PCM-3353Z-L0A1E | AMD LX800 | SODIMM | Yes | 18-bit | 24-bit | 1 | 4 | 3 | 1 | Yes | PC/104+ | Passive | -20 ~ 80° C |
| PCM-3353Z2-L0A1E | AMD LX800 | SODIMM | Yes | 18-bit | 24-bit | 1 | 4 | 3 | 1 | Yes | PC/104+ | Passive | -40 ~ 85° C |

Note: Wide temperature range version (Z/Z2) should bundle with wide temp DDR SDRAM Memory (PN:SQR-SD11-512M400SN) for shipment, otherwise it will cause unexpected system crash.

Note: Passive = fanless; Active = with fan

Packing List

| Part No. | Description | Quantity |
|------------|---|----------|
| | PCM-3353 SBC | |
| | Startup Manual | |
| | Utility CD | |
| 1700000898 | VGA cable D-SUB 15P(F)/12P-1.25 mm 15 cm | 1 |
| 1700000918 | Audio cable 10 cm | 1 |
| 1700003491 | AT power cable 1 x 8P-2.0/B4P-5.08 x 2 15 cm | 1 |
| 1700060202 | Cable 6P-6P-6P PS/2 KB & Mouse 20 cm | 1 |
| 1700260250 | LPT Port cable 25P to 26P 2.0 mm 25 cm | 1 |
| 1701100202 | LAN Flat Cable IDC10P 2.0 mm/RJ-45 20 cm | 1 |
| 1701400181 | COM 4 ports Flat Cable 18 cm IDC40P 2.0 mm | 1 |
| 1701440350 | IDE cable 44P/44P/44P 35 cm | 1 |
| 1703040157 | RS-422/485 W/D-SUB COM 4P 15 cm | 1 |
| 1703060053 | PS2 Cable 6P (MINI-DIN)-6P (Wafer 2.0 mm) 6 cm | 1 |
| 1703100121 | USB 2-Port cable 10P 12 cm IDC 2.0 mm | 1 |
| 9660104000 | PC/104 screw and copper post package | 1 |
| 1960005764 | Heatsink for PCM-3353 (80.44 x 77.97 x 7.82 mm) | 1 |

Optional Accessories

| Part No. | Description |
|----------------|--------------------------------------|
| 1653130421 | PCI-104 connector 120-pin (Long pin) |
| 165313222B | PC/104 connector 64-pin (Long pin) |
| 165312022B | PC/104 connector 40-pin (Long pin) |
| 1960037701N000 | CF retainer for anti-vibration |
| 1700001531 | LPT to FDD cable |

Embedded OS/API

| Embedded OS/API | Part No. | Description |
|-----------------|------------|--|
| WinCE | 2070000729 | Image PCM-3353 CE 5.0 Pro Plus Eng |
| | 2070001612 | CE6.0 Pro GX3 4 COM V1.0 ENG |
| | 2070005769 | CE6.0 Pro GX3 2 COM V1.1 JPN |
| Win XPE | 2070009905 | Image XPE WES2009 PCM-3353 A2 V4.0 ENG |
| | 2070009906 | Image XPE WES2009 PCM-3353 A2 V4.0 24MUI |
| QNX | | 6.4.1/ 6.3.2 |
| Linux | | Ubuntu 10.04.1 |
| VxWorks | | 5.5 |
| Software API | 205E000019 | SUSI 3.0 SW API for ESBC B: 20091116 XP |