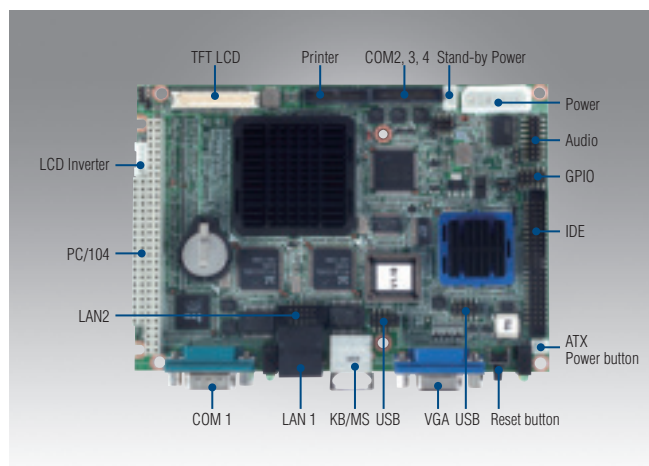


PCM-9375

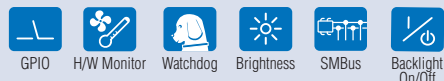
AMD Geode™ LX800 3.5" SBC, VGA, LVDS/TTL, Dual Ethernet, IDE, CF, PC/104



Features

- AMD Geode™ low-power LX800 500 MHz processor
- 24-bit TFT LCD interface, 18-bit LVDS LCD display
- Low power : 7~8 Watts, supports extended temperature -40 ~ 85° C
- Dual 10/100 Mbps Fast Ethernet
- Supports up to 4 COM ports, 4 USB ports, PC/104 expansion
- Supports SUSIAccess and Embedded Software APIs

Software APIs:



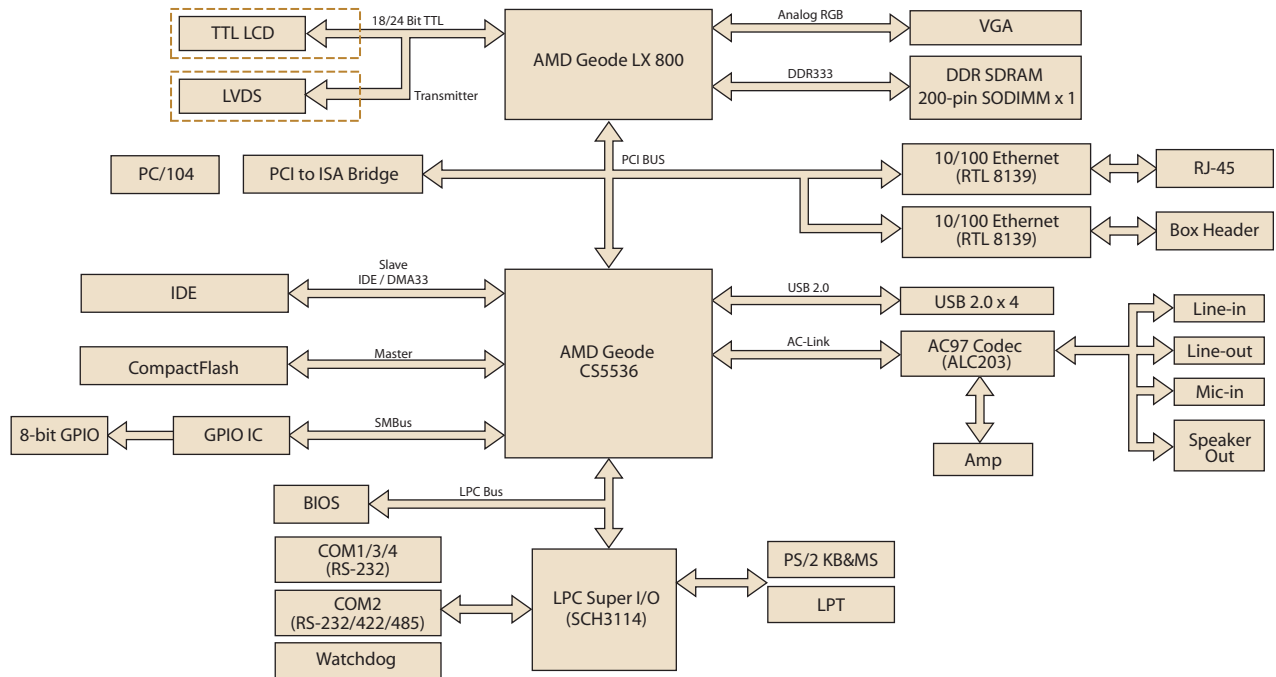
Utilities:



Specifications

| | | |
|--------------------------|---|---|
| Processor System | CPU | AMD Geode LX800 processor, up to 500 MHz |
| | Frequency | 500 MHz |
| | L2 Cache | 128 KB |
| | System Chipset | AMD Geode CS5536 |
| Memory | BIOS | Award 4 Mb Flash ROM BIOS |
| | Technology | DDR 333 MHz |
| | Recommended DRAM | XELECTRO-12MC41DBJ |
| | Max. Capacity | 1 GB |
| Display | Socket | 1 x 200-pin SODIMM |
| | Chipset | AMD Geode LX800 |
| | VRAM | Optimized shared memory architecture up to 64 MB system memory |
| | Graphics Engine | AMD Geode LX800 2D engine |
| | LVDS | 1 x Single channel 18-bit LVDS (PCM-9375E), up to 1600 x 1200 x 32 bpp at 60 Hz |
| | VGA | VGA: up to 1920 x 1440 @ 32 bpp (85 Hz) |
| Ethernet | TTL LCD | 1 x 24-bit TTL (PCM-9375F), up to 1600 x 1200 x 32 bpp at 60 Hz |
| | Dual Display | VGA+TTL, VGA+LVDS |
| | Speed | 10/100 Mbps (Supports Wake on LAN) |
| | Controller | Ethernet1 Realtek RTL8139 10/100 Mbps Ethernet2 Realtek RTL8139 10/100 Mbps |
| Audio | Connector | RJ-45 on Ethernet1, box header on Ethernet2 |
| WatchDog Timer | Chipset | Realtek ALC203 AC97, Line-in, Line-out, Mic-in |
| Storage | Output System reset, Programmable counter from 1 ~ 255 minutes/ seconds | |
| | CompactFlash | CompactFlash type I/II (Primary Master IDE Channel) |
| | IDE | 1 |
| Rear I/O | Floppy | 1 (Shared with LPT) |
| | Serial | 1 (COM1 supports RS-232) (ESD protection for RS-232: Air gap ±15kV, Contact ±8kV) |
| | Ethernet | 1 (10/100 Mbps) |
| | PS/2 KB/Mouse | 1 |
| | VGA | 1 |
| | PWR&HDD LED | 1 |
| | Reset Button | 1 |
| Internal I/O | USB | 4 x USB 2.0 |
| | Serial | 3 x COM (ESD protection for RS-232: Air gap ±15kV, Contact ±8kV) COM3/COM4 supports RS-232 COM2 supports RS-232/422/485 (Supports RS-485 auto flow control) |
| | Ethernet | 1 (10/100 Mbps) |
| | IDE | 1 UDMA 33/66 |
| | Parallel (LPT) | 1 (Shared with FDD) |
| | FDD | 1 (Shared with LPT) |
| | GPIO | 8-bit GPIO |
| | IC | optional |
| Expansion | PC/104 Slot | PC/104 Expansion(8/16-Bit ISA) |
| | Power Type | AT/ATX |
| Power | Power Supply Voltage | 5V + 5% (+12V option for LCD, PC/104) |
| | Power Consumption (Typical) | 0.6 A @ 5 V, 0.03 A @ 12 V (3.36 W) |
| | Power Consumption (Max, test in HCT) | 1.2 A @ 5 V, 0.23 A @ 12 V (8.76 W) |
| | Power Management | APM 1.2, ACPI |
| | Battery | Lithium 3 V/196 mAH |
| Environment | Operational | 0 ~ 60° C (32 ~ 140° F) (Operating humidity: 40° C @ 95% RH non-condensing) |
| | Non-Operational | -40° C ~ 85° C and 60° C @ 95% RH non-condensing |
| Physical Characteristics | Dimensions (L x W) | 146 x 102 mm (5.7" x 4") |
| | Weight | 0.64 kg (1.41 lb), weight of total package |
| | Total Height | 25.2mm |

Block Diagram



Ordering Information

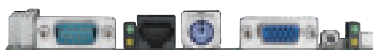
| Part No. | CPU | Memory | VGA | LVDS | TTL | 10/100 Ethernet | Audio | IDE | USB2.0 | RS-232 | RS-232/422/485 | CF | Expansion | Thermal Solution | Operating Temp. |
|-------------------|-----------|--------|-----|--------|-----|-----------------|-------|-------|--------|--------|----------------|----|-----------|------------------|-----------------|
| PCM-9375F-J0A1E | AMD LX800 | SODIMM | 1 | - | 1 | 2 | Yes | 1 IDE | 4 | 3 | 1 | 1 | PC/104 | Passive | 0 ~ 60° C |
| PCM-9375E-J0A1E | AMD LX800 | SODIMM | 1 | 18-bit | - | 2 | Yes | 1 IDE | 4 | 3 | 1 | 1 | PC/104 | Passive | 0 ~ 60° C |
| PCM-9375FZ-J0A1E | AMD LX800 | SODIMM | 1 | - | 1 | 2 | Yes | 1 IDE | 4 | 3 | 1 | 1 | PC/104 | Passive | -20 ~ 80° C |
| PCM-9375EZ-J0A1E | AMD LX800 | SODIMM | 1 | 18-bit | - | 2 | Yes | 1 IDE | 4 | 3 | 1 | 1 | PC/104 | Passive | -20 ~ 80° C |
| PCM-9375FZ2-J0A1E | AMD LX800 | SODIMM | 1 | - | 1 | 2 | Yes | 1 IDE | 4 | 3 | 1 | 1 | PC/104 | Passive | -40 ~ 85° C |
| PCM-9375EZ2-J0A1E | AMD LX800 | SODIMM | 1 | 18-bit | - | 2 | Yes | 1 IDE | 4 | 3 | 1 | 1 | PC/104 | Passive | -40 ~ 85° C |

Note: Passive = fanless; Active = with fan

Packing List

| Part No. | Description | Quantity |
|------------|--|----------|
| | PCM-9375 SBC | |
| | Startup Manual | |
| | Utility CD | |
| 1701440351 | IDE cable (44p/44p) 35cm | 1 |
| 1700060202 | KB/MS cable 20cm | 1 |
| 1701100202 | LAN cable 20cm | 1 |
| 1700001971 | COM 2/3/4 RS-232 cable 21 cm | 1 |
| 1700001977 | Parallel Port cable 25cm | 1 |
| 1700160160 | Audio cable 16 cm | 1 |
| 1703100121 | USB cable (2 ports) w/ bracket 12cm | 1 |
| 1960004868 | LX800 heatsink for PCM-9375 39.5 x 39.6 x 9.8 mm | |
| 1960004869 | CS5536 heatsink for PCM-9375 22.6 x 22.6 x 14.5 mm | |

Rear I/O View



Optional Accessories

| Part No. | Description |
|-------------|--|
| 1703040157 | COM2 cable for RS-422/485 |
| 1703200201 | ATX power control cable |
| 9696937580E | PCM-9375-FDD module (must connect 1701340700 and 1700002212) |
| 1701340700 | Flat cable 34-pin for 9696937580E, 70cm (cable from 9696937580E's FDD port to FDD device) |
| 1700002212 | LPT Cable for 9696937580E, 1.27mm pitch, 10cm (cable from PCM-9375's LPT to 9696937580E's LPT) |

Embedded OS/API

| Embedded OS/API | Part No. | Description |
|-----------------|------------|---|
| WinCE | 2070000729 | Image PCM-9375 CE 5.0 Pro Plus Eng |
| | 2070001612 | CE 6.0 Pro GX3 4Com V1.0 ENG |
| | 2070007509 | CE 6.0 Pro PCM-9375_4COM V1.1 JPN |
| | 2070007810 | CE 6.0 Pro GX3 4COM V1.2 ENG |
| Win XPE | 2070007790 | WES2009 ENG V4.0 |
| | 2070007910 | WES2009 24MUJ V4.0 |
| QNX | | QNX 6.3.2, QNX 6.4.1 |
| Vxwork | | 5.5 |
| Linux | 205E375000 | Linux WDT Driver Ubuntu8.04 PCM-9375 V1.0 ENG Ubuntu 10.04.1 |
| Software API | 2066002300 | CD SUSI Library V1.0 |