

# TREK-734

## 8" All-in-One Light-Duty Mobile Data Terminal with Freescale Processor



### Features

- Freescale ARM® Cortex™-A9 i.MX 6DualLite processor with Android 5.1
- 8" high-brightness (750 nits) display with multi-touch control
- GNSS (GPS/GLONASS), Wi-Fi, BT, LTE/HSPA+
- 2 x front-facing speakers, 2 x microphones, and 5 x programmable function keys
- Optional accessories include high-density cable, mount kit, IP54-rated I/O cover, internal backup battery pack (7.2 V/2450mAh) and external antennas

### Introduction

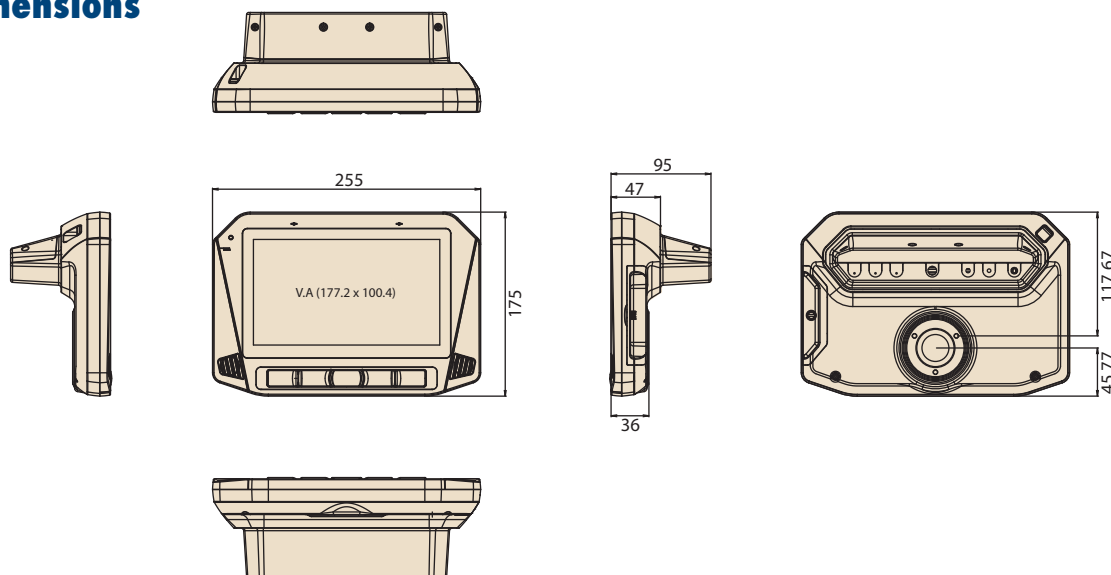
TREK-734 is a RISC-based open platform all-in-one light-duty mobile data terminal equipped with an 8" display, Freescale ARM® Cortex™-A9 i.MX 6DualLite processor, Android 5.1 OS, 1 GB memory, and LTE networking capabilities to enable high-performance computing for fleet management applications. LTE capabilities transform the terminal into a wireless network hub that supports Wi-Fi, BT, and GPS communication to facilitate location tracking and route optimization. Certified to MIL-STD 810G standards for vibration tolerance, TREK-734 can withstand operation in light-duty vehicles. Moreover, three external antenna ports are provided for enhanced network communication in order to effectively support critical outdoor applications.

### Specifications

Product Name	TREK-734			
System	Processor	Freescale ARM® Cortex™-A9 i.MX 6DualLite (1 GHz)		
	Memory	1 GB DDR3 (supports up to 2 GB)		
	Storage	4 GB onboard eMMC (supports up to 8 GB) 1 x Micro SD slot (externally accessible)		
	Watchdog	Yes		
	RTC	Yes		
	OS	Android 5.1.1		
RF	GNSS	u-blox MAX-M8Q (GPS, BD, GLONASS, Galileo)		
	WLAN	IEEE 802.11 b/g/n		
	BT	Bluetooth V4.0		
	WWAN	LTE, HSPA+, GSM/GPRS/EDGE, WCDMA		
	Voice Call	N/A		
	Wake-on-WWAN	N/A		
	SIM	1 x SIM		
	External Antenna	1 x WLAN, 1 x WWAN, 1 x GPS (TNC type)		
Display	Size/Type	8" (16:10) TFT LCD		
	Max. Resolution	1024 x 600		
	Brightness (cd/m <sup>2</sup> )	750 nits		
	Viewing Angle (R/L/B/T)	70/80/80/80		
	Backlight Life	20,000 hrs		
Touchscreen	Capacitive (multi-touch)			
Brightness Control	Light sensor for automatic dimming			
Function Key	5 x Programmable function keys with green LED backlight			
I/O	Vehicle I/O (via high-density connector)	1 x CAN bus (supports raw CAN, J1939, OBD-II/ISO 15765)		
	Generic I/O (via high-density connector)	4 x Isolated DI/2 x DO 1 x 4-wire RS-232, 1 x 2-wire RS-232 1 x CVBS-In 1 x Mic-In 1 x Line-In (R & L) 1 x Line-Out (R & L) 1 x USB 2.0 Type A host		
		Standard I/O	1 x mini USB debugging (5 pin) 1 x USB 2.0 Type A host	
		Indicators	1 x LED (Power)	
		Power Button	Yes	
Vehicle Power Design	Reset Button	Yes		
	Input Voltage	9 ~ 32 V <sub>DC</sub>		

## Dimensions

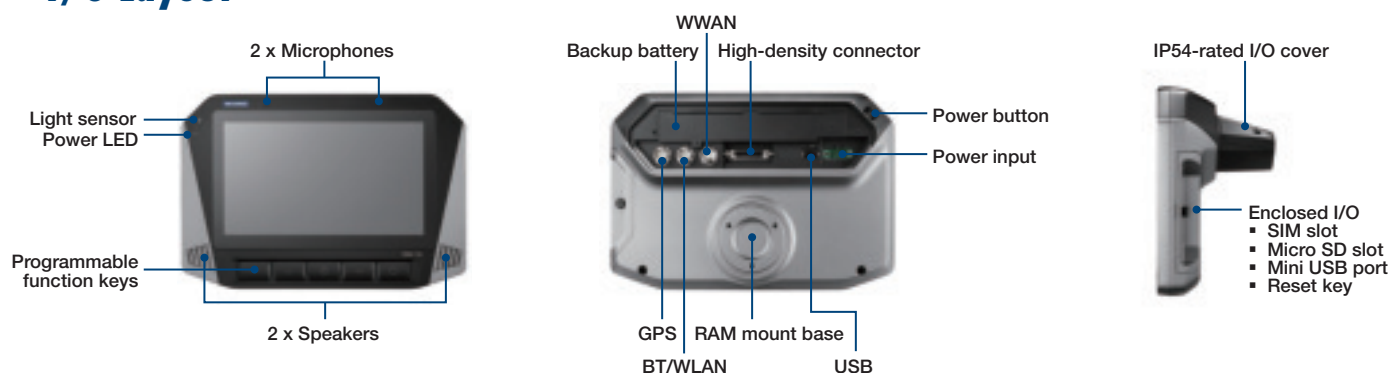
Unit: mm



## Specifications Cont.

Environment	Power Regulation	E-Mark, ISO 7637-2, SAE J1455, SAE J1113
	IP Rating	IP54
	Operating Temperature	-20 ~ 70 °C (-4 ~ 158 °F) without backup battery
	Storage Temperature	-30 ~ 80 °C (-22 ~ 176 °F)
Certifications	EMC/Safety	CE, FCC, UL/cUL, CCC, CB
	Vehicle Power	e-Mark, ISO 7637-2, SAE J1455, SAE J1113
	Shock/Vibration	MIL-STD-810G, SAE J1455
Physical	Dimensions (W x H x D)	255 x 175 x 95 mm (10.04 x 6.88 x 3.74 in) with IP-rated I/O cover 255 x 175 x 47 mm (10.04 x 6.88 x 1.85 in)
	Weight	1.3 kg (2.86 lb)

## I/O Layout



## Ordering Information

Part Number	Description
TREK-734C-LWBADA1E	TREK-734 IMX6,2GB,8GB And.5.1 LTE EU EC-25E Int.
TREK-734C-LWBADB1E	TREK-734 IMX6,2GB,8GB And.5.1, LTE NA EC-25A Ext.
TREK-734C-LWBADC1E	TREK-734 IMX6,2GB,8GB And.5.1, Huawei 909 Ext.
TREK-734C-WBADA1E	TREK-734 IMX6,2GB,8GB And.5.1 WLAN/BT Int. Ant.

## Optional Accessories

Part Number	Description
1760002560-01	Backup battery pack 7.2V 2450mAh 2S1P
TREK-734-IP000	IP54-rated I/O cover
1700026766-01	High-density connector cable
1750008571-01	WLAN/BT external antenna (TNC)
1750008570-01	WWAN/GPS external antenna (TNC)