

ITA-5710

Intel® Atom™ D525 Fanless Compact System with EN 50155 Certification for Railway Applications



Features

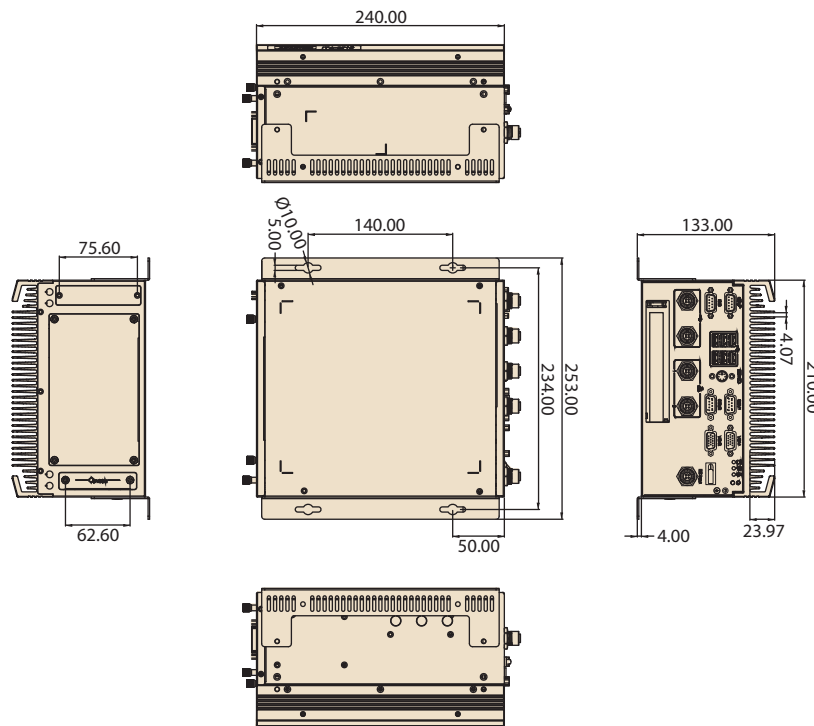
- Fanless compact Intel® Atom™ D525 processor
- Satisfies EN 50155 TX temperature requirements (-40 ~70 °C), IEC 61373 body mount class B specifications, and EN 50121-3-2 EMC standards
- Ruggedized connectors (m12) for communication and power ports
- Supports easy swap HDD/SSD/CF modules
- Optional PCI/Mini PCIe slots for expansion
- Compliant with EN50155 standards for railway applications

Specifications

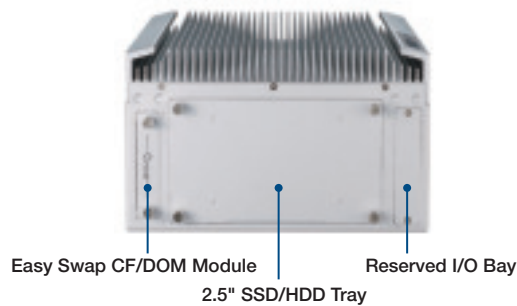
System Chipset	CPU	Intel® Atom™ D525 processor	
	Max. Speed	1.8 GHz	
	L2 Cache	1 MB	
	Chipset	Intel® ICH8-M	
	BIOS	AMI® SPI 16 Mb	
Memory	Technology	Single-channel DDR3 800	
	Max. Capacity	Onboard 2GB	
Display	Chipset	Embedded Gen3.5+ GFX Core, 400 MHz frequency	
	VRAM	Shared system memory up to 256 MB SDRAM	
	Dual Display	2 x VGA or VGA + LVDS (optional)	
		Single channel maximum: 2048 x 1536 @ 60Hz Dual channel maximum: 1366 x 768 @ 60Hz	
LVDS	Supports 18-bit single channel up to 1366 x 768 @ 60 Hz (optional)		
Ethernet	Controller	Intel® i210-IT	
	Interface	10/100/1000 Mbps	
	Connector	2 x M12 A-coded (F), 8 pin	
Storage	HDD/SSD	1 x Easy swap 2.5" SSD/HDD bay	
	Others	1 x CompactFlash socket for Type I/II CompactFlash disk on motherboard	
		1 x Easy swap CF/SATA DOM module	
I/O	USB	2 x USB 2.0 with M12 A-coded (F), 4 pin 6 x USB 2.0 with Type A	
	Serial Port	2 x DB9, RS-232/422/485, supports auto flow control	
	DIO	1 x DB9, 8 bit	
	VGA	2 x DB15	
	Audio	1 x DB9, 1 x speaker out with 2 x 4W amplifiers, 1 x mic in	
	PS2	1 x PS2	
Expansion Slots	Mini PCIe	1 x Mini PCIe (full size) 1 x Mini PCIe (full/half size)	
	PCI	1 x PCI 32 33 Mhz	
LEDs and Control Buttons	LED	1 x Power, 1 x Storage, 1 x Alert LEDs	
	Button	1 x Power on/off switch 1 x Reset button	
Power	Input Voltage	24 V DC, compliant with EN 50155, class S2/C1 (optional 48/72/110 V DC)	
	Connector	1 x M12 A-coded (M), 4 pin	
Watchdog Timer	Output	System reset	
	Interval	Programmable 1 ~ 255 sec/min	
Environment	Temperature	Operating (with industrial SSD/CF) -40 ~ 70 °C	Non-Operating -40 ~ 85 °C
	Humidity	5 ~ 95% @ 40 °C	
Mechanical	Dimensions (W x H x D)	210 x 129 x 240 mm 253 x 133 x 240 mm (with supporting angles)	
	Installation	Desktop/wall mount	
Certification	EMC	CE/FCC Class A, CCC	
	Safety	UL, CB, CCC	
EN 50155 Compliance	Ambient Temperature	EN 50155 TX (-40 ~ 70 °C)	
	Shock and Vibration	IEC 61373 body mount class B	
	Voltage Supply Interruptions	Class S2	
	Supply Change Over	Class C1	
	EMC	EN 50121-3-2	

Dimensions

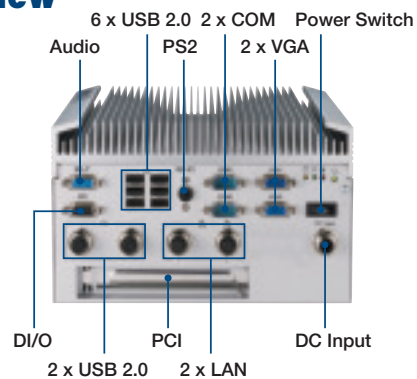
Unit: mm



Front View



Rear View



Ordering Information

Part Number	CPU	Onboard Memory	Ethernet (M12 A-coded, 8-pin, female)	USB (M12 A-coded, 4-pin, female)	Power Input (M12 A-coded, 4-pin, male)	Mini PCIe	COM (DB9)	2.5" SSD Tray	CF/DOM Tray	Input Power
ITA-5710-00A1E	Atom D525	2G DDR3	2	2	1	2	2	1	2	24 V _{DC}

Optional Accessories

M12 Connector (Must purchase separately)

Part Number	Description
Y5A5730000	M12 A-coded, 4-pin, female, for power input
Y5A5730001	M12 A-coded, 8-pin, male, for LAN
Y5A5730002	M12 A-coded, 4-pin, male, for USB

M12 Cable (Must purchase separately)

Part Number	Description
1700022203-01	Power cable, A-coded, 4-pin female to 2-pin European terminal, 10 cm
1700023142-01	USB cable, A-coded, 8-pin, male to standard port (Type A), 10 cm
1700022205-01	LAN cable, A-coded, 4-pin male to RJ45, 10 cm