

PPC-3150SW

15.6" Fanless Widescreen Panel PC with Intel® Pentium® N4200 Quad-Core Processor



Features

- 15.6" true-flat WXGA TFT LCD with projected capacitive touch control
- Fanless design with low power consumption
- Supports 1 x internal 2.5" SATA HDD and 1 x mSATA
- Configurable RS-232/422/485 ports via BIOS
- Automatic data flow control over RS-485
- Wide range DC support (12 ~ 24 V_{DC})
- Supports dual displays
- IP65-rated front panel



Introduction

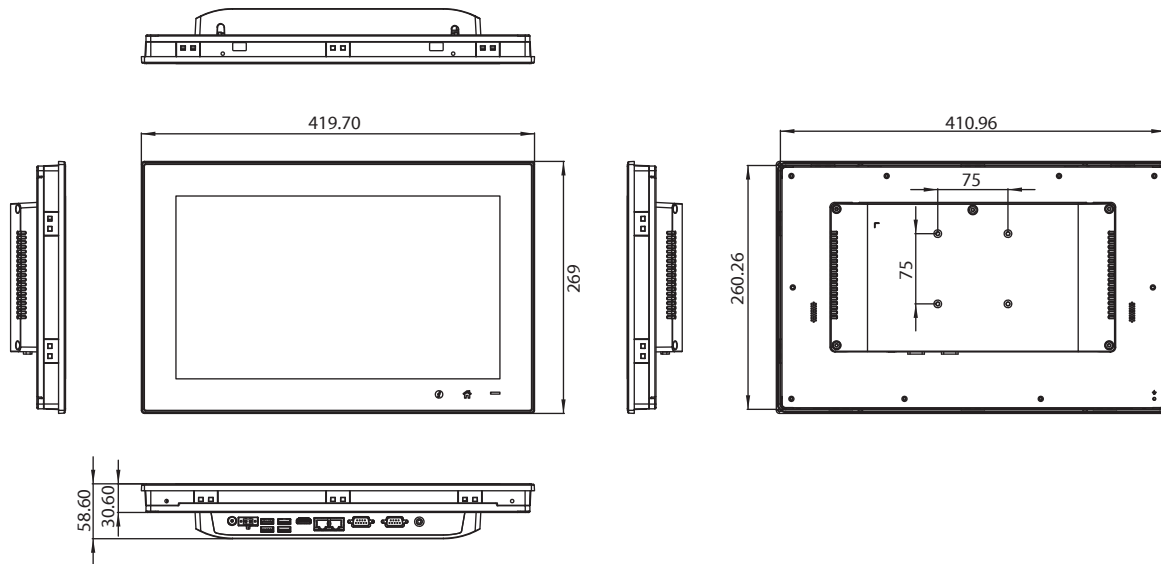
The PPC-3150SW is a high-value, ultra-slim panel PC equipped with a 15.6" WXGA TFT LCD, and low-power Intel® Pentium® N4200 quad-core, 1.1 GHz, processor to provide high-performance computing in a compact and fanless system. For high durability and functionality, the PPC-3150SW features an IP65-rated front panel, multi-touch projected capacitive touchscreen, die cast aluminum alloy enclosure, two serial ports, four USB ports, and two GbE LAN ports, making it suitable for diverse industrial applications.

Specifications

| | | |
|---------------------------------|--------------------------------|--|
| System | CPU | Intel® Pentium® N4200 quad core |
| | Frequency | 1.1GHz, turbo boot to 2.5GHz. |
| | L2 Cache | 3 MB |
| | Memory | 1 x SODIMM, DDR3L 1600/1866, max. 8 GB |
| | Storage | 1 x 2.5" SATA bay (optional; requires a bracket module for installation) 1 x mSATA bay |
| | Network (LAN) | 2 x 10/100/1000 Mbps Ethernet (Intel I211-AT) |
| | I/O | 2 x Serial ports: 1 x RS-232, 1 x RS-232/422/485 2 x USB 3.0, 2 x USB 2.0 1 x Line-out 1 x HDMI |
| | Expansion | 1 x Mini PCIe |
| | Watchdog Timer | 255 timer levels, set up by software |
| Speaker | 2 x 1W | |
| Physical Characteristics | Dimensions | 419.7 x 269 x 58.6 mm (16.52 x 10.59 x 2.3 in) |
| | Weight | 4.7 kg (10.36 lb) |
| OS Support | OS Support | Microsoft® Windows 10 (64-bit), Linux, Android |
| Power Consumption | Input Voltage | 12 ~ 24 V _{DC} |
| | Power Consumption | 33W |
| LCD | Display Type | 15.6" TFT LCD (LED backlight) |
| | Max. Resolution | 1366 x 768 |
| | Viewing Angle | 85 (Left), 85 (Right), 80 (Up), 80 (Down) |
| | Luminance (cd/m ²) | 400 |
| | Contrast Ratio | 500 |
| | Backlight Lifetime | 50,000 hr (min.) |
| Touchscreen | Touch Type | Multi-touch projected capacitive |
| | Light Transmission | 90% ± 2% |
| | Controller | USB Interface |
| Environment | Operating Temperature | 0 ~ 50 °C (32 ~ 122 °F) with SSD 0 ~ 40 °C (32 ~ 104 °F) with HDD |
| | Storage Temperature | -20 ~ 60 °C (-4 ~ 140 °F) |
| | Relative Humidity | 10 ~ 95% @ 40 °C (Non-Condensing) |
| | Shock | Operating 10 G Peak Acceleration (11 ms Duration), Follows IEC 60068-2-27 |
| | Vibration | Operating Random Vibration Test 5~500Hz, 1Grms @with HDD; 2Grms @with SSD, Follows IEC 60068-2-64 |
| | EMC | CE, FCC Class B, BSMI |
| | Safety | CE, UL, CCC, BSMI |
| Front Panel Protection | IP65 compliant | |

Dimensions

Unit: mm

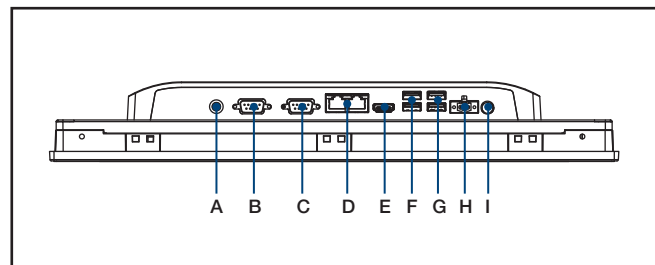


Panel Cutout Dimensions: 413 x 262 mm (16.25 x 10.31 in)

Ordering Information

| Part Number | Description |
|-------------------|--|
| PPC-3150SW-PN4A | 15.6" Wide screen PPC with PCT Multi-touch, Intel Pentium® N4200 Quad-Core |
| 96PSA-A90W190T-1 | Adapter AC100-240V 90W 19V |
| 1700001524 | POWER Cord 3P UL 10A 125V 180cm |
| 170203183C | POWER Code 3P Europe (WS-010+083)183 cm |
| 1700008921 | POWER CORD 3P/3P POWER SUPPLY 1.8 M PSE |
| 96CB-POWER-B-1.8M | Power code 3P CCC(China) 1.8M |
| PPC-174T-WL-MTE | Wall mount kit for PPC series |
| PPC-STAND-A1E | Stand for PPC series |
| PPC-ARM-A03 | ARM VESA Standard (A-CLEVER) for PPC series |
| PPC-WLAN-C1E | Supports 802.11 a/b/g/n/ac and BT4.1 (2T2R) |
| PPC-HDD-N4200 | HDD Bracket module for PPC-3150SW and PPC-3180SW |

I/O View



- A. Line out
- B. COM1: RS-232
- C. COM2: RS-232/422/485
- D. 2 x LAN
- E. HDMI
- F. 2 x USB 3.0
- G. 2 x USB 2.0
- H. DC-In
- I. Power Switch